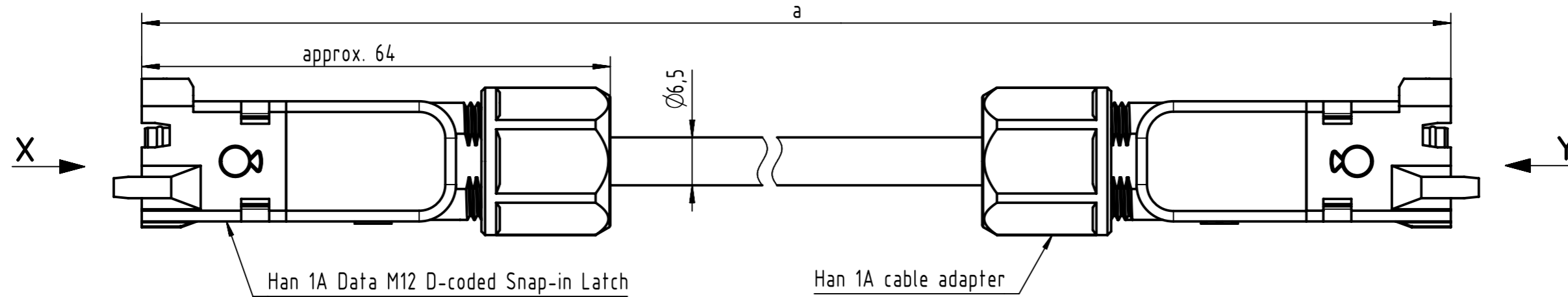


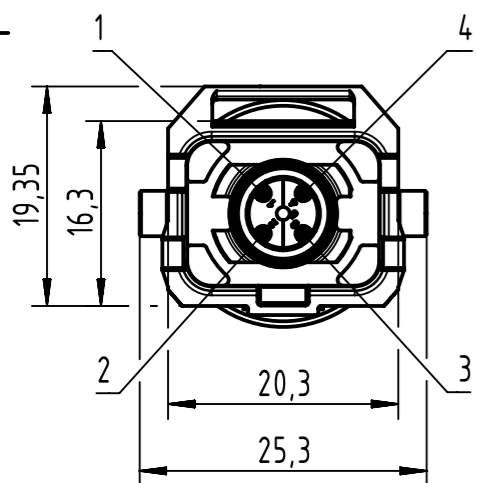
Connector Location A

Connector Location B

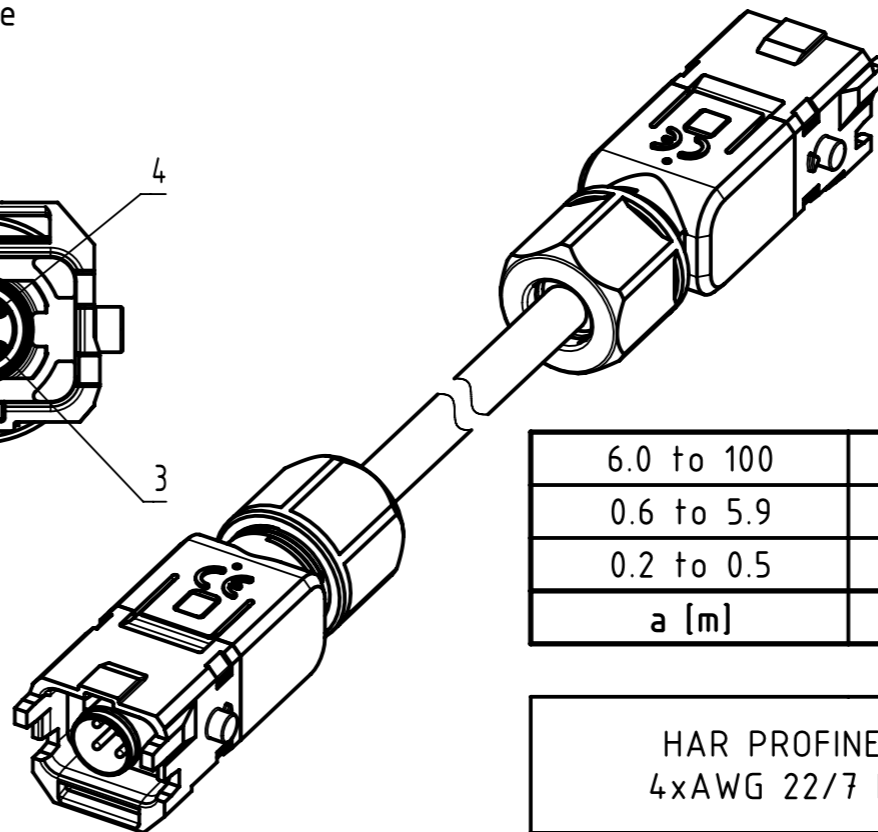
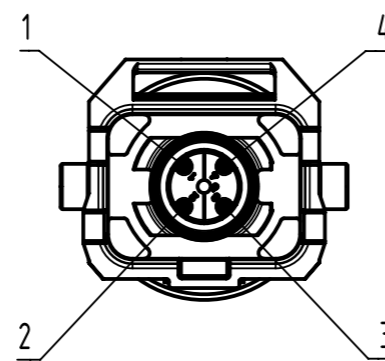
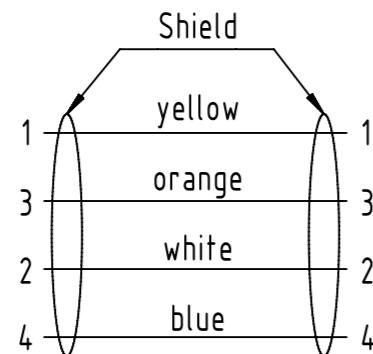


X  
male

Y  
male



Loading Plan



6.0 to 100	±1%
0.6 to 5.9	+0.04
0.2 to 0.5	+0.02
a [m]	Tolerance

length in "1m" step	100	XXX=000
	99	XXX=990
	12	XXX=120
	11	XXX=110
length in "0.1m" step	10	XXX=100
	9.9	XXX=099
	9.8	XXX=098
	0.5	XXX=005
	0.4	XXX=004
	0.3	XXX=003
	0.2	XXX=002
Step	a [m]	XXX

NOTE:  
 \* Gold plated contacts  
 - Protection level: IP65  
 - Temperature range: -30°C ... +80°C

HAR PROFINET Typ B 4xAWG 22/7 PVC green	33504848807XXX
Type of cable	Part no.

All rights reserved Department HCS - RO HARTING Customised Solutions D-32339 Espelkamp	All Dimensions in mm Tech. Character. Free size tol. According to production drawing	Created by BANCIUD Banciu Title Han 1A CA M12-D-cod. +latch m/m PVC	Inspected by COSTEA Costea Title TB	Standardisation MUNTEANV Muntean Number 33504848807XXX	Date 2022-05-23	State Final Release	Doc-Key / ECM-Nr. 101005076/UGD/000/A 500000218000
	Rev. A	Page 1/1					